



"GBP" REVERSE FLAME STEAM BOILER

w w w . g a r i o n i n a v a l . c o m

GARIONI NAVAL S.p.A. Viale dei Caduti, 3 25030 Castelmella Brescia - Italy
Phone +39 030 2681541 / +39 030 3582420 Fax +39 030 2680910 / +39 030 3580535
garioninaval@garioninaval.com www.garioninaval.com www.euroboiler.com



**GBP LOW PRESSURE FIRE TUBE
 STEAM GENERATORS**

Reverse flame in combustion chamber type with wet bottom, GBP steam generators are perfect for low and medium capacity applications at 0,5 bar or 1 bar pressure, wherein reliability and simplicity are fundamental requirements.

Dimensioning of this boiler series, have been developed in order to assure the maximum possible efficiency and the best possible emission level. Due to the perfect shape of our combustion chamber and pipe surface.

In addition to the above, GBP steam generators afford the following benefits:

- **High efficiency (≥. 88%)**, thanks to complete exploitation of the flue gas side exchange surface.
- **Easy routine maintenance**, thanks to the completely hinged operable front door.
- **Immediate assistance service**, thanks to the use of primary brand commercial burners. On-the-spot-after-sales service.

**The quality of our Steam boilers GBP is also guaranteed by
 TOTAL QUALITY CERTIFICATION ISO 9001**

SCOPE OF SUPPLY

1.0 BOILER BODY

- 1.1 Pressure vessel designed, built, tested and PED certified, composed of outer shell, furnace and steel tube plates, ISPEL certified, made of FE 401.1 KW UNI 5869/75, welded using submerged arc techniques and complete with suitable reinforcements.
- 1.2 **Tube bundle** made with non-olloy steel Fe 35.2 UNI 663 or ASTM 106 grade B schedule 40, welded to the plates.
- 1.3 Removable REAR FLUE GAS BOX made of carbon steel, complete with stack connection.
- 1.4 **Front Flue Gas Box** made of carbon steel with high temperature refractory lining, complete with hinged operable door for inspection of the tube bundle and burner mounting plate.
- 1.5 **Manhole** and **Handhole** for inspection purposes.
- 1.6 **Insulating Lining of the Cylindrical Shell** made of high-density and high thickness rock wool matting, protected by aluminium sheet.
- 1.7 **Skid** made of structural steel sections supporting the boiler assembly and its accessories.

2.0 VALVES

- 2.1 Steam outlet valve PN 16
- 2.2 Blow-down group with valve and cock PN. 16
- 2.3 Valves dor level indicator (No. 2)
- 2.4 Ball valves for feed water group

3.0 REGULATION AND CONTROL EQUIPMENT

- 3.1 Level gauge.
- 3.2 Steam pressure gauge with 3-way pressure gauge cock and test flange.
- 3.3 Maximum pressure switch.
- 3.4 Control pressure switch (2-stage models only)
- 3.5 Automatic probes type level regulator
- 3.6 Pressure regulation controller
- 3.7 **Gariomatic** electronic regulation and monitoring system

4.0 SAFETY DEVICES

- 4.1 Safety pressure switch
- 4.2 Level gauges
- 4.3 Safety valve
- 4.4 Low water level safety probe

5.0 FEED WATER UNIT

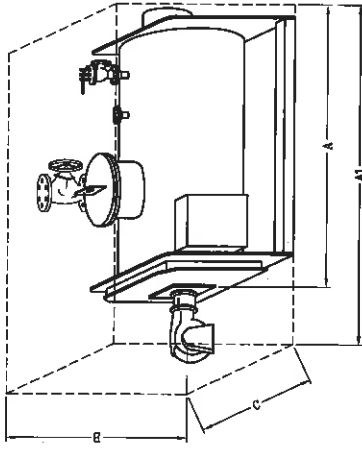
- 5.1 Centrifugal pump with motor, mounted on boiler skid. Flow rate and pressure head in compliance with construction code.
- 5.2 Inlet feed water valve and check valve

6.0 ELECTRICAL CONTROL PANEL

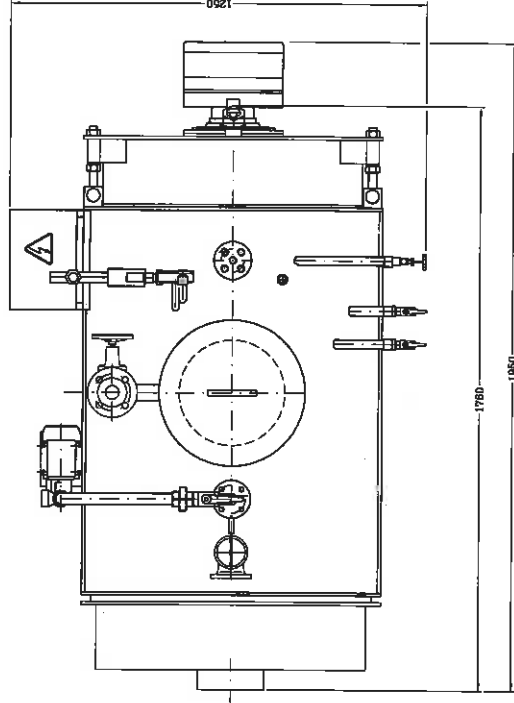
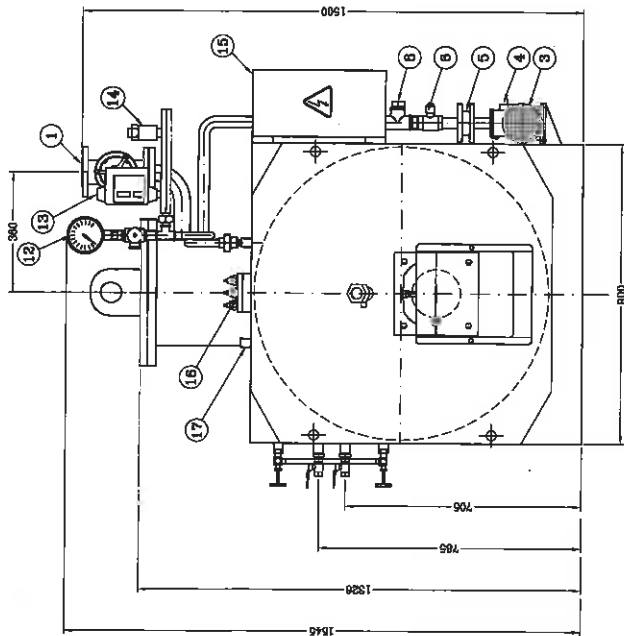
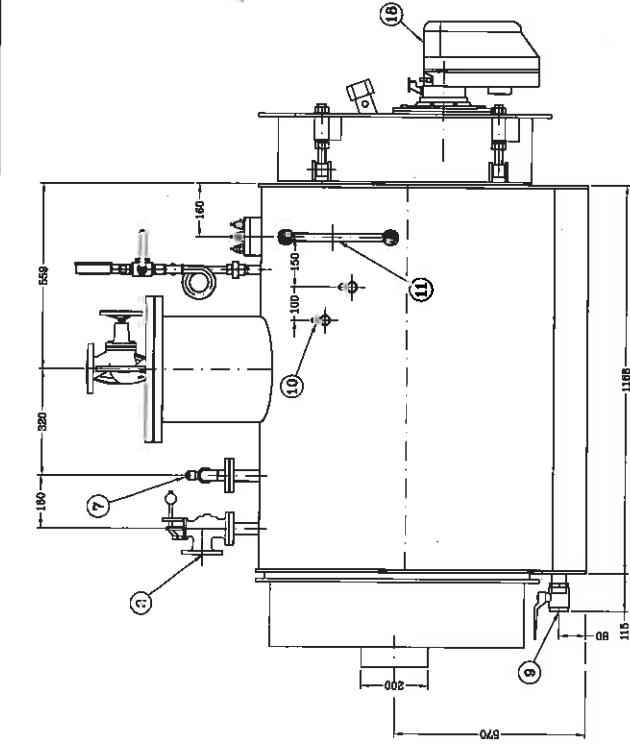
- 6.1 Door lock master switch
- 6.2 Burner start switch
- 6.3 Pump start switch
- 6.4 Pump contactor
- 6.5 Automatic level control instrument
- 6.6 Relays
- 6.7 Fuses
- 6.8 Indicator lights
- 6.9 Numbered terminal board
- 6.10 Control circuits transformer
- 6.11 Safety devices unlock button
- 6.12 **Gariomatic** electronic regulation and monitoring system

Type		GBP 100	GBP 150	GBP 200	GBP 250	GBP 300	GBP 400	GBP 500	GBP 600	GBP 700	GBP 800	GBP 900	GBP 1000	GBP 1200	GBP 1500	GBP 1800	GBP 2200
Steam production	kg/h	165	250	333	416	500	666	833	1.000	1.166	1.333	1.500	1.666	2.000	2.500	3.000	3.666
Capacity	kcal/h	99.000	150.000	200.000	250.000	300.000	400.000	500.000	600.000	700.000	800.000	900.000	1.000.000	1.200.000	1.500.000	1.800.000	2.200.000
	kW	115	174	233	291	349	465	581	698	814	930	1.047	1.163	1.395	1.744	2.093	2.558
Design pressure	bar	1	1	1	1	1	1	1	1	1	1	1	1	1	1	1	1
Efficiency	%	88,0	88,0	88,0	88,0	88,0	88,0	88,0	88,0	88,0	88,0	88,0	88,0	88,0	88,0	88,0	88,0
Total internal volume	liters		805	805	1.050	1.210	1.540	1.740	2.225	2.225	2.530	2.530	3.020	3.890	4.150		
Level capacity	liters		515	515	705	815	1.035	1.175	1.480	1.480	1.695	1.695	2.050	2.790	3.290		
Steam chamber capacity	liters		290	290	345	395	505	565	745	745	835	835	970	1.100	860		
Heated surface	m²	6,0	6,0	6,0	9,0	10,5	13,5	15,5	22,0	22,0	26,0	26,0	31,0	41,0	43,0		
Specific steam production	kg/hm²	27,5	41,9	55,9	55,6	63,4	61,7	64,5	53,0	60,6	57,7	64,1	64,5	61,0	69,8		
Furnace volume	m³		0,251	0,251	0,380	0,450	0,613	0,709	0,815	0,815	0,947	0,947	1,178	1,617			1,985
Furnace thermal load	kcal/hm³		678.582	904.775	897.778	1.009.179	926.797	961.294	976.430	1.115.920	1.079.746	1.199.718	1.157.364	1.054.040			1.259.633
Smokes temperature	°C	205	205	205	205	205	205	205	205	205	205	205	205	205	205	205	205
Furnace pressure drop	mm H ₂ O	15	18	20	27	32	36	40	42	46	50	56	75	85	105	115	130
Furnace internal diameter	mm		488	488		600	600	700	700	750	750	750	750	800	900		950
Furnace length	mm		1.343	1.343		1.343	1.593	1.593	1.843	1.844	1.844	2.144	2.144	2.344	2.542		2.800
Shell internal diameter	mm		950	950		1.120	1.120	1.280	1.280	1.430	1.430	1.430	1.430	1.520	1.680		
Shell internal length	mm		1.490	1.490		1.490	1.740	1.740	1.990	1.990	1.990	2.290	2.290	2.490	2.700		
Pipes Nr.	Nr.		16	16		26	26	38	38	62	62	62	62	70	70		
Pipes Diameter	mm		48,3	48,3		48,3	48,3	48,3	48,3	48,3	48,3	48,3	48,3	48,3	60,3		
Pipes Thickness	mm		3,20	3,20		3,20	3,20	3,20	3,20	3,20	3,20	2,70	2,70	3,20	2,70		
External drawing		GBP 1039 R0	GBP 1015 R1	GBP 1047 R0	GBP 1034 R0	06-0198 R1	GBP 1042 R2	06-0357	GBP 1020 R0		GBP 1019 R4	GBP 1017 R0	GBP 1016 R1	07-0633 R2			
P & I (natural gas)						06-0379	06-0379	04-0245 R1	04-0245 R1	06-0376	06-0376	06-0377	06-0377	06-0378	06-0380		
Length (burner excluded)	mm	1.670	1.800	1.800	2.050	2.010	2.300	2.310	2.600	2.550	2.550	2.835	2.835	3.050	3.350	3.350	
Width (including level indicators, ...)	mm	1.140	1.300	1.300	1.300	1.620	1.910	1.775	1.775	1.550	1.550	1.935	1.935	2.000	2.000	2.000	
Height (including safety valves, ...)	mm	1.510	1.550	1.550	1.550	2.090	2.090	2.340	2.340	1.850	1.850	2.500	2.500	1.850	2.125	2.125	
Empty weight	kg	1.100	1.100	1.600	1.750	1.750	2.000	2.100	2.200	2.600	2.600	3.100	3.100	3.100	3.600	3.900	
Chimney dimension		200	250	250	250	250	250	300	300	350	350	350	350	350	450	450	
Steam outlet valve		DN40 PN16	DN50 PN16	DN50 PN16	DN65 PN16	DN65 PN16	DN65 PN16	DN80 PN16	DN80 PN16	DN100 PN16	DN100 PN16	DN100 PN16	DN100 PN16	DN125 PN16	DN150 PN16	DN200 PN16	
Safety valve connection		1"1/4	1"1/4	1"1/4	1" 1/4	1" 1/2 / 2"	DN50 PN16	DN65 PN16	DN65 PN16	DN80 PN16	DN80 PN16	DN100 PN16	DN100 PN16	DN100 PN16	DN100 PN16	DN100 PN16	
Blowdown valve		1"	1"1/4	1"1/4	1"1/4	1"1/4	1"1/4	1"1/4	1"1/4	1"1/4	1"1/4	1"1/4	1"1/4	1"1/4	1"1/4	1"1/4	
Water pipe inlet		DN25 PN16	DN25 PN16	DN25 PN16	DN25 PN16	1"	DN25 PN16	DN25 PN16	DN25 PN16	DN32 PN16	DN32 PN16	DN32 PN16	DN32 PN16	DN32 PN16	DN32 PN16	DN32 PN16	
Transport length (burner excluded)	mm	1.800	2.200	2.200	2.500		2.400		2.650		2.650		3.000				
Transport length (burner included)	mm	2.000	2.700	2.700	3.200		3.200		3.500		3.500		3.800				
Transport width	mm	1.300	1.450	1.450	1.500		1.700		2.000		2.000		2.000				
Transport height	mm	1.600	1.800	1.800	1.900		2.200		2.250		2.500		2.500				
Transport weight (burner excluded)	kg	750	1.100	1.100	1.250		1.400		1.700		2.250		2.200				
Burned power	kW	135	204	272	340	408	544	680	817	953	1.089	1.225	1.361	1.633	2.041	2.450	2.994
Burner head length	mm		320-400	320-400	320-400	320-400	320-400	320-400	320-400	320-400	320-400	320-400	350-450	350-450	350-450	350-450	350-450
Furnace pressure drop	mbar	1,50	1,80	2,00	2,70	3,20	3,60	4,00	4,20	4,60	5,00	5,60	7,50	8,50	10,50	11,50	13,00
Natural Gas Burner 2-stage	RIELLO	BS 3 D tl	RS 34 MZ tl	RS 34 MZ tl	RS 34 MZ tl	RS 44 MZ tl	RS 50 tl	RS 70 tl	RS 100 tl	RS 100 tl	RS 100 tl	RS 130 tl	RS 130 tl	RS 190 tc	GAS 9 P/M	GAS 9 P/M	
Natural Gas Burner modulating	RIELLO	-	RS 34/M MZ tl	RS 34/M MZ tl	RS 34/M MZ tl	RS 44/M MZ tl	RS 50/M tl	RS 70/M tl	RS 100/M tl	RS 100/M tl	RS 100/M tl	RS 130/M tl	RS 130/M tl	RS 190/M tc	GAS 9 P/M	GAS 9 P/M	
Natural Gas Burner - installation power	kW	0,35	0,60	0,60	0,60	0,70	0,75	1,4	1,8	1,8	1,8	2,6	2,60	5,5	9	9	
Diesel Oil Burner 2-stage	RIELLO	RG 3D tl	RL 34 MZ tl	RL 34 MZ tl	RL 34 MZ tl	RL 44 MZ tl	RL 50 tl	RL 70 tl	RL 70 tl	RL 100 tl	RL 100 tl	RL 130 tl	RL 130 tl	RL 190 tc	RL 190 tc	RL 190 tc	
Diesel Oil Burner modulating	RIELLO	-	RL 28/M tl	RL 28/M tl	RL 38/M tl	RL 38/M tl	RL 50/M tl	RL 70/M tl	RL 70/M tl	RL 100/M tl	RL 100/M tl	RL 130/M tl	RL 130/M tl	RL 190/M tc	RL 190/M tc	RL 190/M tc	
Diesel Oil Burner - installation power	kW	0,39	0,6-0,37	0,6-0,37	0,60	0,6-0,7	0,75	1,4	1,4	1,8	1,8	2,6	2,6	5,87	5,87	10,0	
Heavy Oil Burner 2-stage	RIELLO				P 45 N/ECO	P 60 N/ECO	P 60 N/ECO	P 100 N/ECO	P 100 N/ECO	P 140 T/N tc	P 140 T/N tc	P 140 T/N tc	P 200 T/N tc	P 200 T/N tc	P 300 T/N tc	P 300 T/N tc	
Heavy Oil Burner modulating	RIELLO									P 140 P/N tc	P 140 P/N tc	P 140 P/N tc	P 200 T/N tc	P 200 P/N tc	P 300 T/N tc	P300 P/N tc	
Heavy Oil Burner - installation power	kW				3,7	5,8	5,8	9	9	19	19	19	20	20	30	30	
Feeding pump capacity required	kg/h	330	500	666	832	1.000	1.332	1.666	2.000	2.000	2.133	2.400	2.666	3.200	4.000	4.800	5.866
Model	CALPEDA	CA 60E	CA 80E	CA 80E	CT 61	T 61E	T 61E	T 61E	NM 1/AE	NM 1/AE	NM 1/AE	NM 1/AE	NM 1/AE	NM 1/AE	NM 25/12	NM 25/12	
Installed power	kW	0,15	0,45	0,45	0,33	0,33	0,33	0,33	0,37	0,37	0,37	0,37	0,37	0,37	0,45	0,45	
NPSH	m	3,0	1,9	2,1	2,0	2,0	2,0	2,3	1,1	1,1	1,1	1,2	1,4	1,7	1,0	1,2	
Feeding connection		1/2"	3/4"	3/4"	1"	1"	1"	1"	1"	1"	1"	1"	1"	1"	1"1/2	1"1/2	

DIMENSIONI INGOMBRO TRASPORTO
TRANSPORT EXTERNAL DIMENSIONS



A	1800 mm
A1	2000 mm
B	1600 mm
C	1300 mm
PESO A VUOTO EMPTY WEIGHT	
750 Kg	



PRODUZIONE VAPORE STEAM PRODUCTION	Kg/h 100
POTENZIALITA'	Kcal/hx1000 90
CAPACITA'	Xv 100
PESO WEIGHT	Kg 750
CONTENUTO ACQUA 307. WATER CONTENT	l 510
CONTENUTO ACQUA A LV. LEVEL WATER CONTENT	l 260

POS. NR.	DENOMINAZIONE	DESCRIZIONE	NOTE
16	BUCIATOIE	BURNER	
17	1. ATTACCO AUSILIARIO	AUXILIARY CONNECTION	63/4"
18	1. BASCOTTO SONDE LIVELLO	LEVEL SONDING MANIFOLD	
15	1. QUADRO ELETTRICO	CONTROL PANNELL	
14	1. TRASDUTTORE DI PRESSIONE	PRESSURE TRANSDUCER	
13	1. PRESSOSTATO DI SICUREZZA	SAFETY PRESSURE SWITCH	
12	1. MANOMETRO	PRESSURE GAUGE	
11	1. INDICATORE DI LIVELLO	LEVEL INDICATOR	
10	2. VALVOLA A SFERA PROVA LIVELLO	LEVEL TESTING BALL VALVE	61/2"
9	1. VALVOLA A SFERA SCARICO CALDAIA	BLOW DOWN BALL VALVE	61 3/4"
8	1. ATTACCO INGRESSO ACQUA AUSILIARIO	AUXILIARY WATER INLET CONNECTION	1"
7	1. VALVOLA A SFERA ALIMENTO	FEEDING BALL VALVE	61"
6	1. VALVOLA A SFERA POMPA	PUMP BALL VALVE	61"
5	1. VALVOLA DI RITORNO	CHECK VALVE	DN85 PN16
4	1. ATTACCO INGRESSO ACQUA POMPA	WATER INLET PUMP CONNECTION	G 1"
3	1. POMPA ALIMENTAZIONE	FEEDING WATER PUMP	
2	1. VALVOLA DI SICUREZZA	SAFETY VALVE	
1	1. VALVOLA PRESSA VAPORE	STEAM OUTLET GLOBE VALVE	61a DN85 PN16 61b DN85 PN16 DN60 PN16

GARIONI NAVAL

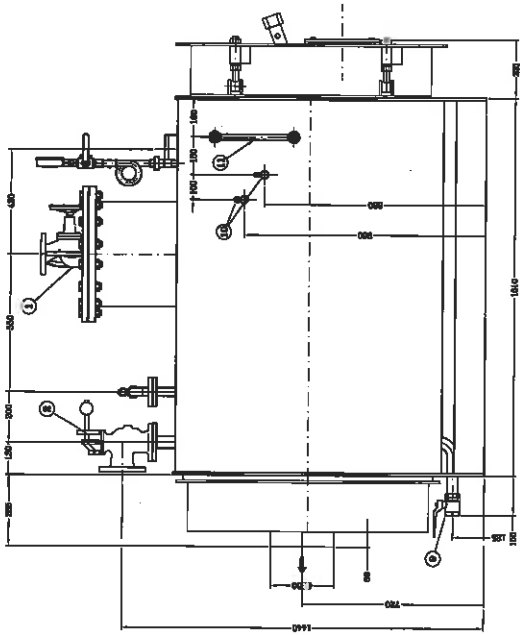
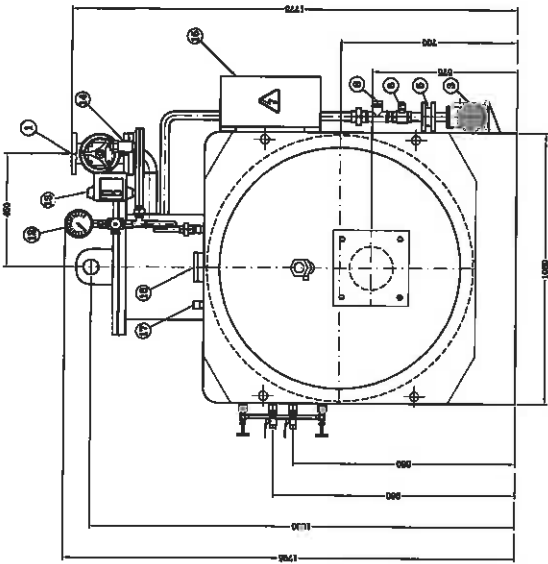
GBP 90 / 0.98 Bar
DIMENSIONI DI INGOMBRO STANDARD
STANDARD EXTERNAL DIMENSIONS

Viale del Caduti, 3
25030 CASTELMELLA (BS)
Tel. (030) 2801541 r.a.
Fax (030) 2800910

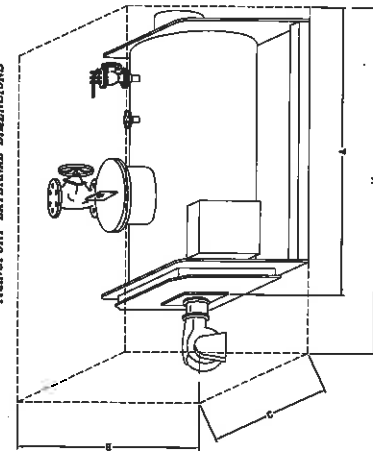
COMMESSA	REVISIONE
SOSTITUISCE IL	SOSTITUITO DAL
DISEGNO N.	GBP 1039

APPROVATO	VERIFICATO	PA	SCALA	DATA
			1:10	30/06/10

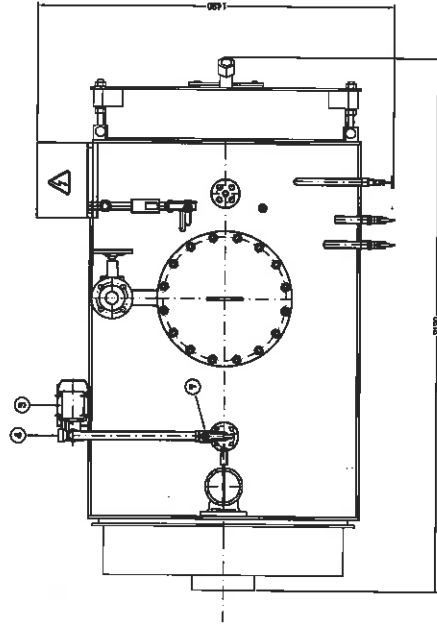
QUESTO DISEGNO E' IN PIENA SCELTA PRODOTTO E' VISTATO A TORNARE IN CASO RIPRODOTTO O INTORCIATO A TORNARE IN CASO RIPRODOTTO O INTORCIATO



DIMENSIONI INCORNERO TRASPORTO
TRANSPORT EXTERNAL DIMENSIONS



A	2200 mm
A1	2700 mm
B	1800 mm
C	1450 mm
PESO A VUOTO EMPTY WEIGHT	1100 Kg



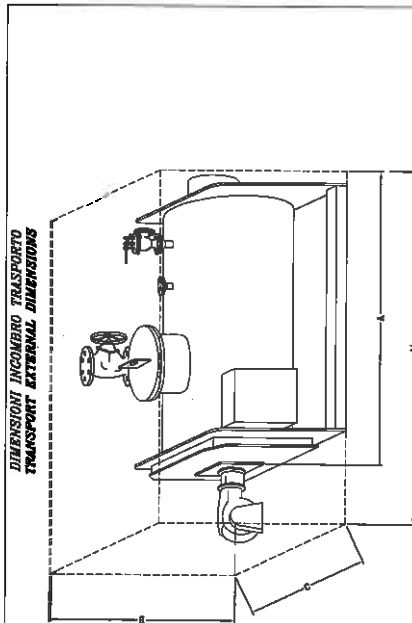
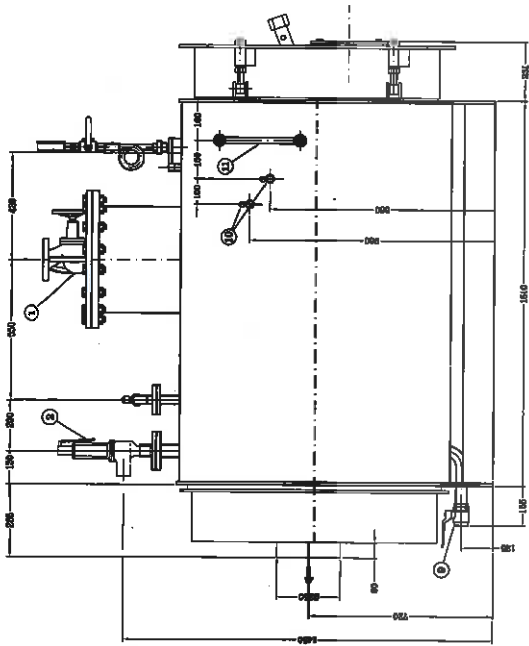
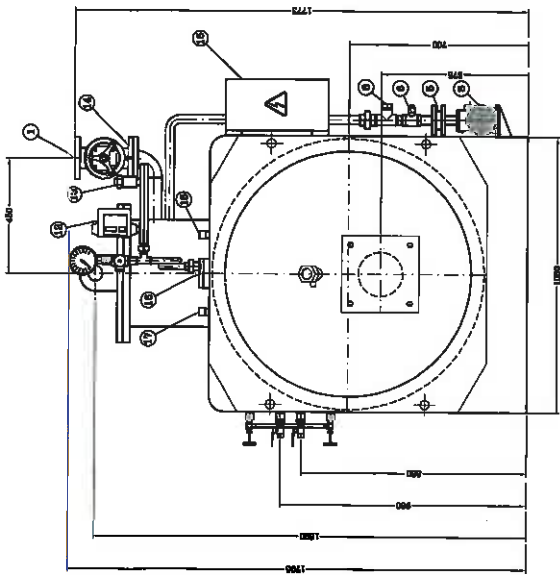
PRODOTTORE PRODUCER	GA/NA
MODELLO MODEL	GHF 1015
PRODOTTO PRODUCTION	2006
IMPRESA FIRM	Garioni Naval
INDIRIZZO ADDRESS	Viale del Cobalto 3 20090 Capriatella (CR) Via. C. S. D'Adda 1 20090 Capriatella (CR)
TELEFONO PHONE	0374/991100
TELEFAX FAX	0374/991101
TELEGRAMMI TELEGRAMS	11015
TELESEMPLE TELETYPE	11015
INDIRIZZO INTERNET INTERNET ADDRESS	www.garioninaval.it

17	1	INTELLIGENZA OPERAZIONALE	OPERATIONAL INTELLIGENCE	INTEL
18	1	INTELLIGENZA STRATEGICA	STRATEGICAL INTELLIGENCE	INTEL
19	1	INTELLIGENZA TATTICA	TACTICAL INTELLIGENCE	INTEL
20	1	INTELLIGENZA OPERATIVA	OPERATIONAL INTELLIGENCE	INTEL
21	1	INTELLIGENZA ANALITICA	ANALYTICAL INTELLIGENCE	INTEL
22	1	INTELLIGENZA SISTEMICA	SYSTEMIC INTELLIGENCE	INTEL
23	1	INTELLIGENZA CULTURALE	CULTURAL INTELLIGENCE	INTEL
24	1	INTELLIGENZA ECONOMICA	ECONOMIC INTELLIGENCE	INTEL
25	1	INTELLIGENZA SCIENTIFICA	SCIENTIFIC INTELLIGENCE	INTEL
26	1	INTELLIGENZA TECNICA	TECHNICAL INTELLIGENCE	INTEL
27	1	INTELLIGENZA MILITARE	MILITARY INTELLIGENCE	INTEL
28	1	INTELLIGENZA POLITICA	POLITICAL INTELLIGENCE	INTEL
29	1	INTELLIGENZA SOCIALE	SOCIAL INTELLIGENCE	INTEL
30	1	INTELLIGENZA UMANITARIA	HUMANITARIAN INTELLIGENCE	INTEL
31	1	INTELLIGENZA AMBIENTALE	ENVIRONMENTAL INTELLIGENCE	INTEL
32	1	INTELLIGENZA CULTURALE	CULTURAL INTELLIGENCE	INTEL
33	1	INTELLIGENZA ECONOMICA	ECONOMIC INTELLIGENCE	INTEL
34	1	INTELLIGENZA SCIENTIFICA	SCIENTIFIC INTELLIGENCE	INTEL
35	1	INTELLIGENZA TECNICA	TECHNICAL INTELLIGENCE	INTEL
36	1	INTELLIGENZA MILITARE	MILITARY INTELLIGENCE	INTEL
37	1	INTELLIGENZA POLITICA	POLITICAL INTELLIGENCE	INTEL
38	1	INTELLIGENZA SOCIALE	SOCIAL INTELLIGENCE	INTEL
39	1	INTELLIGENZA UMANITARIA	HUMANITARIAN INTELLIGENCE	INTEL
40	1	INTELLIGENZA AMBIENTALE	ENVIRONMENTAL INTELLIGENCE	INTEL
41	1	INTELLIGENZA CULTURALE	CULTURAL INTELLIGENCE	INTEL
42	1	INTELLIGENZA ECONOMICA	ECONOMIC INTELLIGENCE	INTEL
43	1	INTELLIGENZA SCIENTIFICA	SCIENTIFIC INTELLIGENCE	INTEL
44	1	INTELLIGENZA TECNICA	TECHNICAL INTELLIGENCE	INTEL
45	1	INTELLIGENZA MILITARE	MILITARY INTELLIGENCE	INTEL
46	1	INTELLIGENZA POLITICA	POLITICAL INTELLIGENCE	INTEL
47	1	INTELLIGENZA SOCIALE	SOCIAL INTELLIGENCE	INTEL
48	1	INTELLIGENZA UMANITARIA	HUMANITARIAN INTELLIGENCE	INTEL
49	1	INTELLIGENZA AMBIENTALE	ENVIRONMENTAL INTELLIGENCE	INTEL
50	1	INTELLIGENZA CULTURALE	CULTURAL INTELLIGENCE	INTEL
51	1	INTELLIGENZA ECONOMICA	ECONOMIC INTELLIGENCE	INTEL
52	1	INTELLIGENZA SCIENTIFICA	SCIENTIFIC INTELLIGENCE	INTEL
53	1	INTELLIGENZA TECNICA	TECHNICAL INTELLIGENCE	INTEL
54	1	INTELLIGENZA MILITARE	MILITARY INTELLIGENCE	INTEL
55	1	INTELLIGENZA POLITICA	POLITICAL INTELLIGENCE	INTEL
56	1	INTELLIGENZA SOCIALE	SOCIAL INTELLIGENCE	INTEL
57	1	INTELLIGENZA UMANITARIA	HUMANITARIAN INTELLIGENCE	INTEL
58	1	INTELLIGENZA AMBIENTALE	ENVIRONMENTAL INTELLIGENCE	INTEL
59	1	INTELLIGENZA CULTURALE	CULTURAL INTELLIGENCE	INTEL
60	1	INTELLIGENZA ECONOMICA	ECONOMIC INTELLIGENCE	INTEL
61	1	INTELLIGENZA SCIENTIFICA	SCIENTIFIC INTELLIGENCE	INTEL
62	1	INTELLIGENZA TECNICA	TECHNICAL INTELLIGENCE	INTEL
63	1	INTELLIGENZA MILITARE	MILITARY INTELLIGENCE	INTEL
64	1	INTELLIGENZA POLITICA	POLITICAL INTELLIGENCE	INTEL
65	1	INTELLIGENZA SOCIALE	SOCIAL INTELLIGENCE	INTEL
66	1	INTELLIGENZA UMANITARIA	HUMANITARIAN INTELLIGENCE	INTEL
67	1	INTELLIGENZA AMBIENTALE	ENVIRONMENTAL INTELLIGENCE	INTEL
68	1	INTELLIGENZA CULTURALE	CULTURAL INTELLIGENCE	INTEL
69	1	INTELLIGENZA ECONOMICA	ECONOMIC INTELLIGENCE	INTEL
70	1	INTELLIGENZA SCIENTIFICA	SCIENTIFIC INTELLIGENCE	INTEL
71	1	INTELLIGENZA TECNICA	TECHNICAL INTELLIGENCE	INTEL
72	1	INTELLIGENZA MILITARE	MILITARY INTELLIGENCE	INTEL
73	1	INTELLIGENZA POLITICA	POLITICAL INTELLIGENCE	INTEL
74	1	INTELLIGENZA SOCIALE	SOCIAL INTELLIGENCE	INTEL
75	1	INTELLIGENZA UMANITARIA	HUMANITARIAN INTELLIGENCE	INTEL
76	1	INTELLIGENZA AMBIENTALE	ENVIRONMENTAL INTELLIGENCE	INTEL
77	1	INTELLIGENZA CULTURALE	CULTURAL INTELLIGENCE	INTEL
78	1	INTELLIGENZA ECONOMICA	ECONOMIC INTELLIGENCE	INTEL
79	1	INTELLIGENZA SCIENTIFICA	SCIENTIFIC INTELLIGENCE	INTEL
80	1	INTELLIGENZA TECNICA	TECHNICAL INTELLIGENCE	INTEL
81	1	INTELLIGENZA MILITARE	MILITARY INTELLIGENCE	INTEL
82	1	INTELLIGENZA POLITICA	POLITICAL INTELLIGENCE	INTEL
83	1	INTELLIGENZA SOCIALE	SOCIAL INTELLIGENCE	INTEL
84	1	INTELLIGENZA UMANITARIA	HUMANITARIAN INTELLIGENCE	INTEL
85	1	INTELLIGENZA AMBIENTALE	ENVIRONMENTAL INTELLIGENCE	INTEL
86	1	INTELLIGENZA CULTURALE	CULTURAL INTELLIGENCE	INTEL
87	1	INTELLIGENZA ECONOMICA	ECONOMIC INTELLIGENCE	INTEL
88	1	INTELLIGENZA SCIENTIFICA	SCIENTIFIC INTELLIGENCE	INTEL
89	1	INTELLIGENZA TECNICA	TECHNICAL INTELLIGENCE	INTEL
90	1	INTELLIGENZA MILITARE	MILITARY INTELLIGENCE	INTEL
91	1	INTELLIGENZA POLITICA	POLITICAL INTELLIGENCE	INTEL
92	1	INTELLIGENZA SOCIALE	SOCIAL INTELLIGENCE	INTEL
93	1	INTELLIGENZA UMANITARIA	HUMANITARIAN INTELLIGENCE	INTEL
94	1	INTELLIGENZA AMBIENTALE	ENVIRONMENTAL INTELLIGENCE	INTEL
95	1	INTELLIGENZA CULTURALE	CULTURAL INTELLIGENCE	INTEL
96	1	INTELLIGENZA ECONOMICA	ECONOMIC INTELLIGENCE	INTEL
97	1	INTELLIGENZA SCIENTIFICA	SCIENTIFIC INTELLIGENCE	INTEL
98	1	INTELLIGENZA TECNICA	TECHNICAL INTELLIGENCE	INTEL
99	1	INTELLIGENZA MILITARE	MILITARY INTELLIGENCE	INTEL
100	1	INTELLIGENZA POLITICA	POLITICAL INTELLIGENCE	INTEL

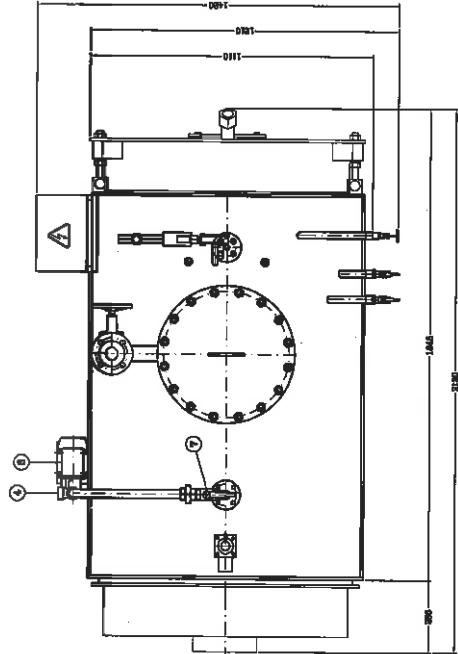
GARIONI
NAVAL
 Viale del Cobalto 3
 20090 Capriatella (CR)
 Via. C. S. D'Adda 1
 20090 Capriatella (CR)
 Tel. 0374/991100
 Fax 0374/991101
 www.garioninaval.it

GHF 160 0.98 NPT
 STANDARD EXTERNAL DIMENSIONS
 DIMENSIONI DI INCORNERO STANDARD
 APPROVATO FS P4
 SCALE 1:10
 DATA 09/09/2008
 DISCIPLO N.
 GHF 1015

GHF 1015 è un prodotto di Garioni Naval, un'azienda specializzata nella produzione di macchine per la pulizia industriale. Il presente disegno è una rappresentazione schematica e non deve essere considerata un'offerta commerciale. Per maggiori informazioni, consultare il sito internet www.garioninaval.it o contattare il numero verde 800 90 90 90.



A	2200 mm
AI	2700 mm
B	1800 mm
C	1450 mm
PESO A VUOTO EMPTY WEIGHT	1100 Kg



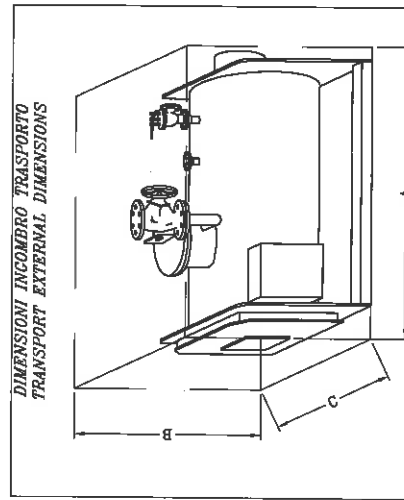
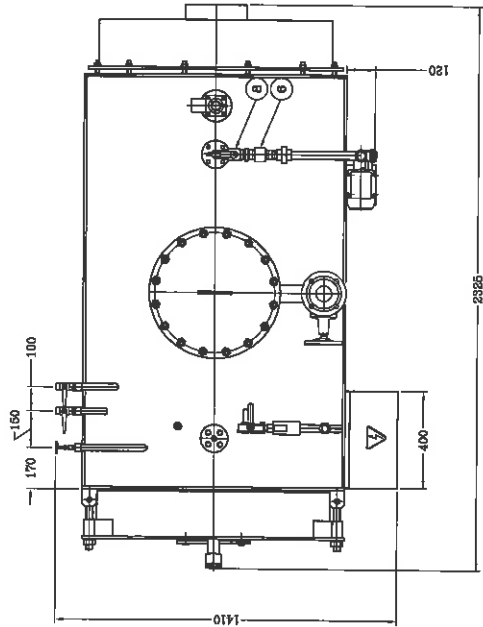
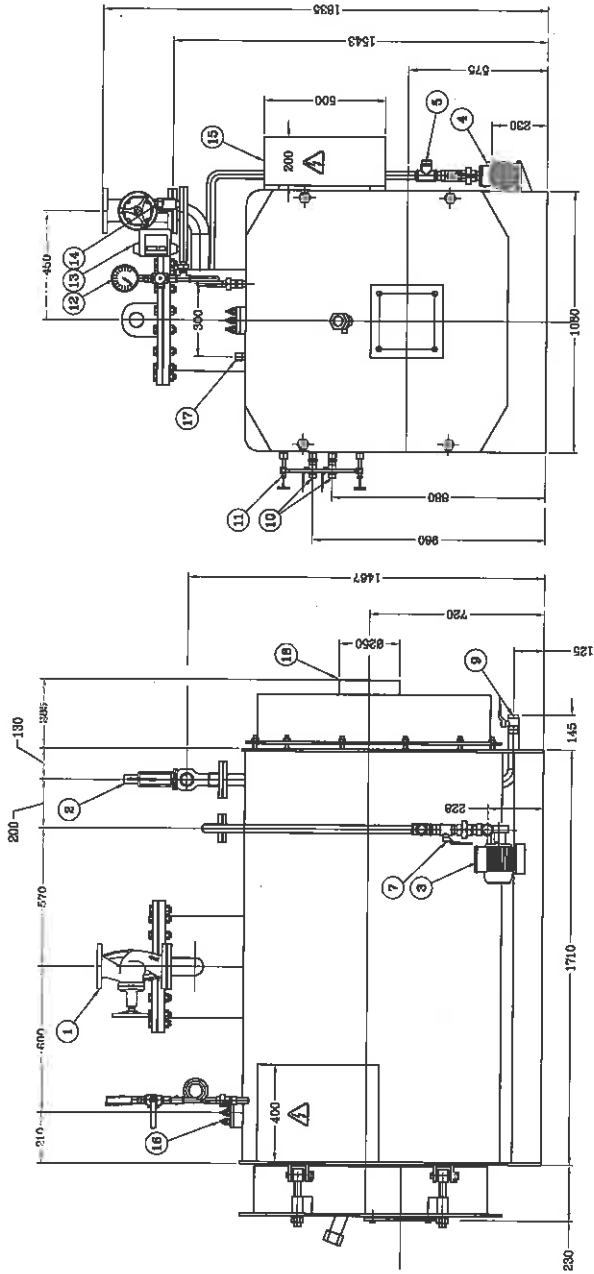
DESCRIZIONE	QUANTITA'	UNITA'	REVISIONI
1. COPERCHIO IN ALLUMINIO	1	PC	1
2. MANIGLIA IN ALLUMINIO	1	PC	1
3. MANIGLIA IN ALLUMINIO	1	PC	1
4. MANIGLIA IN ALLUMINIO	1	PC	1
5. MANIGLIA IN ALLUMINIO	1	PC	1
6. MANIGLIA IN ALLUMINIO	1	PC	1
7. MANIGLIA IN ALLUMINIO	1	PC	1
8. MANIGLIA IN ALLUMINIO	1	PC	1
9. MANIGLIA IN ALLUMINIO	1	PC	1
10. MANIGLIA IN ALLUMINIO	1	PC	1
11. MANIGLIA IN ALLUMINIO	1	PC	1
12. MANIGLIA IN ALLUMINIO	1	PC	1
13. MANIGLIA IN ALLUMINIO	1	PC	1
14. MANIGLIA IN ALLUMINIO	1	PC	1
15. MANIGLIA IN ALLUMINIO	1	PC	1
16. MANIGLIA IN ALLUMINIO	1	PC	1
17. MANIGLIA IN ALLUMINIO	1	PC	1
18. MANIGLIA IN ALLUMINIO	1	PC	1
19. MANIGLIA IN ALLUMINIO	1	PC	1
20. MANIGLIA IN ALLUMINIO	1	PC	1
21. MANIGLIA IN ALLUMINIO	1	PC	1
22. MANIGLIA IN ALLUMINIO	1	PC	1
23. MANIGLIA IN ALLUMINIO	1	PC	1
24. MANIGLIA IN ALLUMINIO	1	PC	1
25. MANIGLIA IN ALLUMINIO	1	PC	1
26. MANIGLIA IN ALLUMINIO	1	PC	1
27. MANIGLIA IN ALLUMINIO	1	PC	1
28. MANIGLIA IN ALLUMINIO	1	PC	1
29. MANIGLIA IN ALLUMINIO	1	PC	1
30. MANIGLIA IN ALLUMINIO	1	PC	1
31. MANIGLIA IN ALLUMINIO	1	PC	1
32. MANIGLIA IN ALLUMINIO	1	PC	1
33. MANIGLIA IN ALLUMINIO	1	PC	1
34. MANIGLIA IN ALLUMINIO	1	PC	1
35. MANIGLIA IN ALLUMINIO	1	PC	1
36. MANIGLIA IN ALLUMINIO	1	PC	1
37. MANIGLIA IN ALLUMINIO	1	PC	1
38. MANIGLIA IN ALLUMINIO	1	PC	1
39. MANIGLIA IN ALLUMINIO	1	PC	1
40. MANIGLIA IN ALLUMINIO	1	PC	1
41. MANIGLIA IN ALLUMINIO	1	PC	1
42. MANIGLIA IN ALLUMINIO	1	PC	1
43. MANIGLIA IN ALLUMINIO	1	PC	1
44. MANIGLIA IN ALLUMINIO	1	PC	1
45. MANIGLIA IN ALLUMINIO	1	PC	1
46. MANIGLIA IN ALLUMINIO	1	PC	1
47. MANIGLIA IN ALLUMINIO	1	PC	1
48. MANIGLIA IN ALLUMINIO	1	PC	1
49. MANIGLIA IN ALLUMINIO	1	PC	1
50. MANIGLIA IN ALLUMINIO	1	PC	1
51. MANIGLIA IN ALLUMINIO	1	PC	1
52. MANIGLIA IN ALLUMINIO	1	PC	1
53. MANIGLIA IN ALLUMINIO	1	PC	1
54. MANIGLIA IN ALLUMINIO	1	PC	1
55. MANIGLIA IN ALLUMINIO	1	PC	1
56. MANIGLIA IN ALLUMINIO	1	PC	1
57. MANIGLIA IN ALLUMINIO	1	PC	1
58. MANIGLIA IN ALLUMINIO	1	PC	1
59. MANIGLIA IN ALLUMINIO	1	PC	1
60. MANIGLIA IN ALLUMINIO	1	PC	1
61. MANIGLIA IN ALLUMINIO	1	PC	1
62. MANIGLIA IN ALLUMINIO	1	PC	1
63. MANIGLIA IN ALLUMINIO	1	PC	1
64. MANIGLIA IN ALLUMINIO	1	PC	1
65. MANIGLIA IN ALLUMINIO	1	PC	1
66. MANIGLIA IN ALLUMINIO	1	PC	1
67. MANIGLIA IN ALLUMINIO	1	PC	1
68. MANIGLIA IN ALLUMINIO	1	PC	1
69. MANIGLIA IN ALLUMINIO	1	PC	1
70. MANIGLIA IN ALLUMINIO	1	PC	1
71. MANIGLIA IN ALLUMINIO	1	PC	1
72. MANIGLIA IN ALLUMINIO	1	PC	1
73. MANIGLIA IN ALLUMINIO	1	PC	1
74. MANIGLIA IN ALLUMINIO	1	PC	1
75. MANIGLIA IN ALLUMINIO	1	PC	1
76. MANIGLIA IN ALLUMINIO	1	PC	1
77. MANIGLIA IN ALLUMINIO	1	PC	1
78. MANIGLIA IN ALLUMINIO	1	PC	1
79. MANIGLIA IN ALLUMINIO	1	PC	1
80. MANIGLIA IN ALLUMINIO	1	PC	1
81. MANIGLIA IN ALLUMINIO	1	PC	1
82. MANIGLIA IN ALLUMINIO	1	PC	1
83. MANIGLIA IN ALLUMINIO	1	PC	1
84. MANIGLIA IN ALLUMINIO	1	PC	1
85. MANIGLIA IN ALLUMINIO	1	PC	1
86. MANIGLIA IN ALLUMINIO	1	PC	1
87. MANIGLIA IN ALLUMINIO	1	PC	1
88. MANIGLIA IN ALLUMINIO	1	PC	1
89. MANIGLIA IN ALLUMINIO	1	PC	1
90. MANIGLIA IN ALLUMINIO	1	PC	1
91. MANIGLIA IN ALLUMINIO	1	PC	1
92. MANIGLIA IN ALLUMINIO	1	PC	1
93. MANIGLIA IN ALLUMINIO	1	PC	1
94. MANIGLIA IN ALLUMINIO	1	PC	1
95. MANIGLIA IN ALLUMINIO	1	PC	1
96. MANIGLIA IN ALLUMINIO	1	PC	1
97. MANIGLIA IN ALLUMINIO	1	PC	1
98. MANIGLIA IN ALLUMINIO	1	PC	1
99. MANIGLIA IN ALLUMINIO	1	PC	1
100. MANIGLIA IN ALLUMINIO	1	PC	1

GARIONI NAVAL

Via Garibaldi 3
20121 Milano (Italy)
Tel. (02) 2000141 c.a.
Fax (02) 2000140

DIMENSIONI DI INGOMBRO STANDARD
STANDARD EXTERNAL DIMENSIONS

DESIGNO N° GBP 1047



A	2500 mm
B	1900 mm
C	1500 mm
PESO A VUOTO	1250 Kg
EMPTY WEIGHT	

PRODUZIONE VAPORE STEAM PRODUCTION	Kg/h	250
POTENZA/ALTA	Kwh/1000	250
CAPACITY	hp	361
PESO NETTO NET WEIGHT	Kg.	1250
CONTENUTO ACQUA TOT. TOTAL WATER CONTENT	l.	100
CONTENUTO ACQUA A 10% WATER CONTENT	l.	100

18	1	USCITA FUMI	SMOKE EXIT	Ø 250
17	1	ATTACCO CONTROLLO ACQUA	FEED WATER CONTROL CONNECTION	Ø 1/2"
16	4	SONDA DI LIVELLO	LEVEL PROBE	
16	1	QUADRO ELETTRICO	CONTROL PANNEL	
14	1	TRASDUTTORE DI PRESSIONE	PRESSURE TRANSDUCER	
13	1	PREREGOLATO DI SICUREZZA	SAFETY PRESSURE SWITCH	
12	1	MANOMETRO	PRESSURE GAUGE	
11	1	INDICATORE DI LIVELLO	LEVEL INDICATOR	Ø 1/2"
10	2	VALVOLA A SFERA PROVA LIVELLO	LEVEL TESTING BALL VALVE	Ø 1/4"
9	1	VALVOLA A SFERA RILASCIO CALDAIA	BLOW DOWN BALL VALVE	Ø 1"
8	1	VALVOLA A SFERA ALIMENTO	FEEDING BALL VALVE	Ø 1"
7	1	VALVOLA A SFERA POMPA	PUMP BALL VALVE	Ø 1"
6	1	VALVOLA A SFERA RIFUGIO	CHECK VALVE	Ø 1"
5	1	ATTACCO INGRESSO ACQUA AUSILIARIO	AUXILIARY WATER INLET CONNECTION	Ø 1"
4	1	ATTACCO INGRESSO ACQUA POMPA	WATER INLET PUMP CONNECTION	Ø 1"
3	1	POMPA ALIMENTAZIONE	FEEDING WATER PUMP	Ø 1 1/2
2	1	VALVOLA DI SICUREZZA	SAFETY VALVE	Ø 100 Ø 1/2
1	1	PRESA VAPORE	STEAM OUTLET	DN85 PN16

GARIONI NAVAL
 Viale dei Caduti 3
 25030 CASTELMELLA (BS)
 Tel. (030) 2881641 r.a.
 Fax (030) 2880910

GBP 250/0.98 Bar
 DIMENSIONI DI INGOMBRO
 EXTERNAL DIMENSIONS

641 GB Bar 0

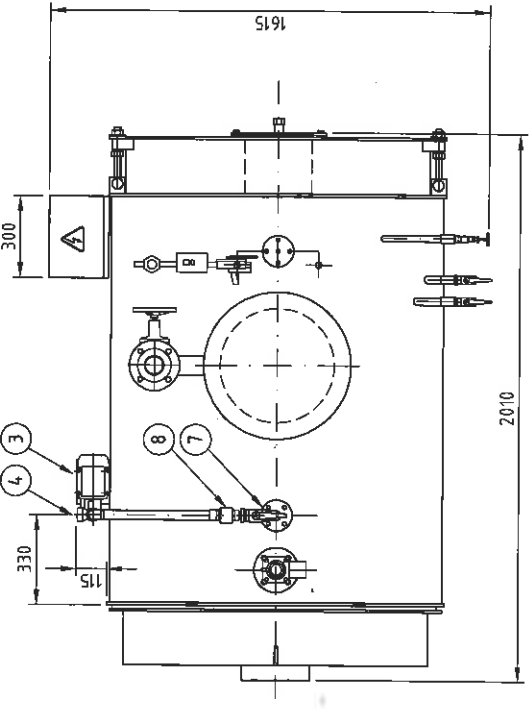
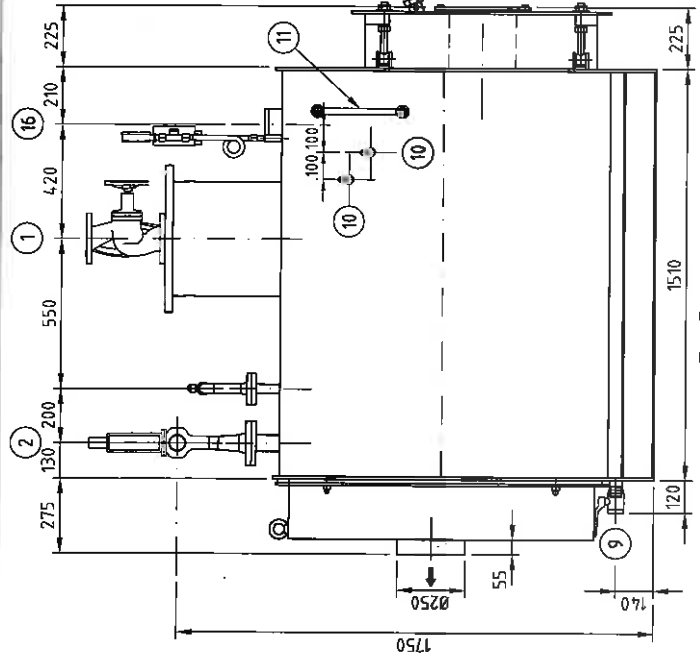
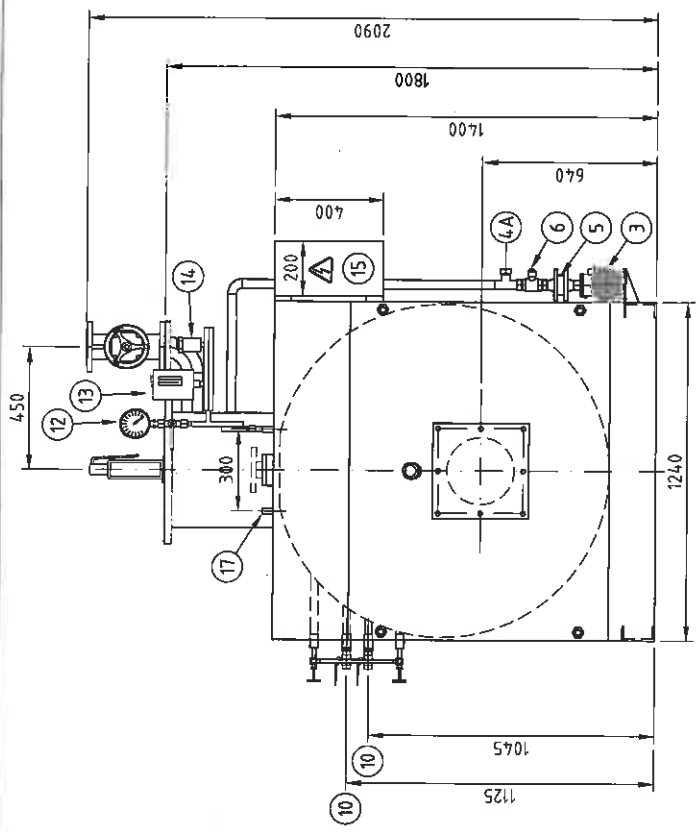
DESIGNATO	FS	VERIFICATO	PA	APPROVATO	PA	SCALA	1:15	DATA	27/04/10
CONSTRUTTORE									
REVISIONI									
REV.									
DATE									
BY									
APP.									

DIMENSIONI NOTE
 DIMENSIONI
 DIMENSIONI

COMMESSA 252/10
 SOSTITUISCE IL
 AUTUNIONE
 SOSTITUISCE IL

DISEGNO N.
 GBP 1034

Questo disegno è di proprietà di Garioni Naval e verrà usato e ristampato a mezzo stampa da Garioni Naval.



POS. NR.	DENOMINAZIONE	DESCRIPTION	NOTE
17	ATTACCO CONTROLLO ACQUA	FEED WATER CONTROL CONNECTION	Ø1/2"
16	1 BARILOTTO SONDE LIVELLO	LEVEL STROBE MANIFOLD	
15	1 QUADRO ELETTRICO	CONTROL PANNEL	
14	1 TRASDUTTORE DI PRESSIONE	PRESSURE TRANSDUCER	
13	1 PRESSOSTATO DI SICUREZZA	SAFETY PRESSURE SWITCH	
12	1 MANOMETRO	PRESSURE GAUGE	
11	1 INDICATORE DI LIVELLO	LEVEL INDICATOR	
10	2 VALVOLA A SFERA PROVA LIVELLO	LEVEL TESTING BALL VALVE	Ø3/4"
9	1 VALVOLA A SFERA SCARICO CALDAIA	BLOW DOWN BALL VALVE	Ø1 1/4"
8	1 VALVOLA RITEGNO ALIMENTO	FEEDING CHECK VALVE	Ø1"
7	1 VALVOLA A SFERA ALIMENTO	FEEDING BALL VALVE	Ø1"
6	1 VALVOLA A SFERA POMPA	PUMP BALL VALVE	Ø1"
5	1 VALVOLA DI RITEGNO	CHECK VALVE	DN25 PN16
4A	1 ATTACCO INGRESSO ACQUA AUSILIARIO	AUXILIARY WATER INLET CONNECTION	1"
4	1 ATTACCO INGRESSO ACQUA POMPA	WATER INLET PUMP CONNECTION	G 1"
3	1 POMPA ALIMENTAZIONE	FEEDING WATER PUMP	
2	2 VALVOLA DI SICUREZZA	SAFETY VALVE	Øin 1 1/2 Øout 2"
1	1 PRESA VAPORE	STEAM OUTLET	DN65 PN16

PRODUZIONE VAPORE STEAM PRODUCTION	Kg/h	500
POTENZIALITA' CAPACITY	Kcal/hx1000	300
PESO WEIGHT	Kw	349
CONTENUTO ACQUA TOT. TOTAL WATER CONTENT	Kg	1760
CONTENUTO ACQUA A LIV. LEVEL WATER CONTENT	l	1050
	l	705

Viale dei Caduti, 3
25030 CASTELMELLA (BS)
Tel. (030) 268541-2
Fax (030) 268970

GARIONI NAVAL

GBP 300
STANDARD EXTERNAL DIMENSIONS
DIMENSIONI INCOMBRO STANDARD

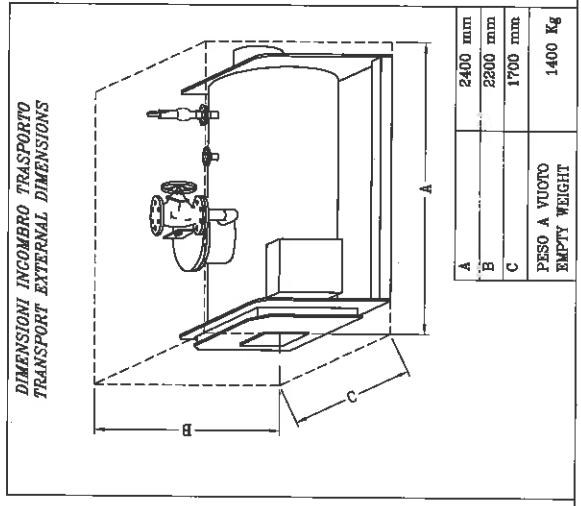
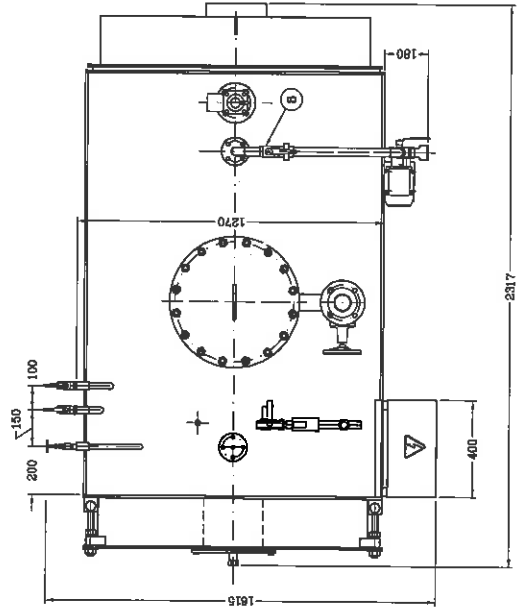
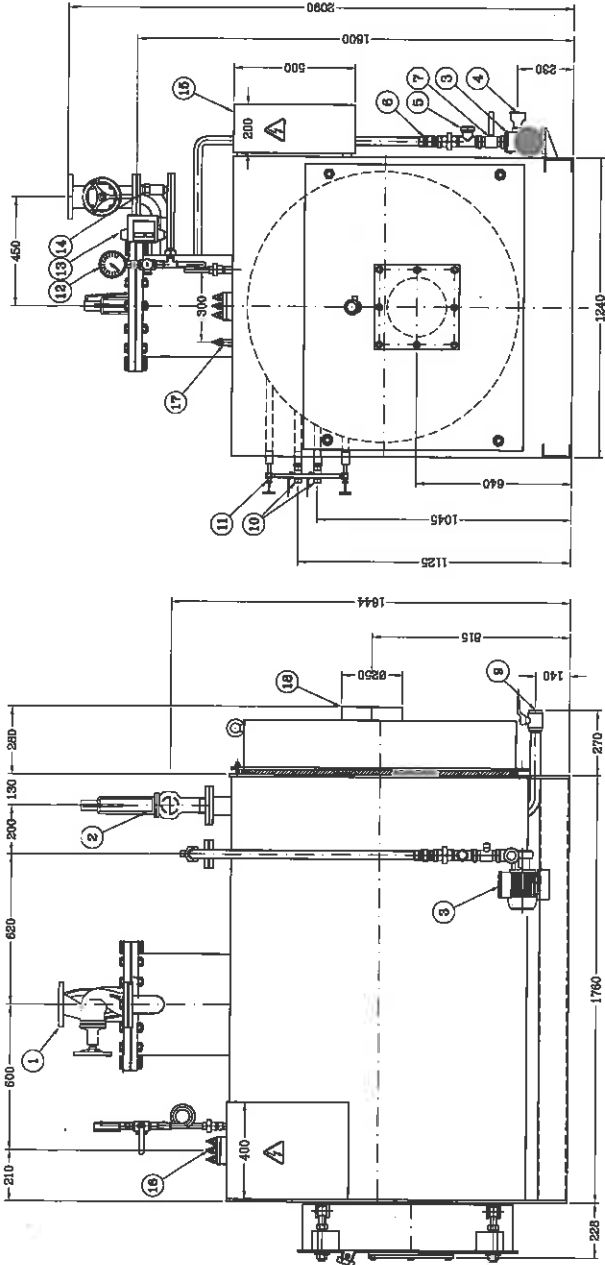
124 GBP T.O.

COMMESSA _____
SOSTITUISCE IL SOSTITUITO DAL _____
RIFERIMENTO _____
DISEGNO N. _____
06-0198

APPROVATO FS PA
SCALA 1:20
DATA 04/05/2006

QUESTO DISEGNO E' IN NOSTRA ESCLUSIVA PROPRIETA' E' VETICOLO A LEGGE APPLICABILE D'INVALIDAZIONE A TUTTA LA NOSTRA AUTORIZZAZIONE

REV.	DATA	MODIFICHE	DIS.	APP.	PA
1	24/07/2007	Accessori alimentazione	FS	PA	



PROTEZIONE VALVOLA	Kg/A	587
STEAM PRODUCTION	Kcal/har1000	400
POTENZIALITA'	Kw	485
CAPACITY	Kg	6000
PESO		
CONTENUTO ACQUA TOT.		
TOTAL WATER CONTENT		1
CONTENUTO ACQUA LIV.		
LEVEL WATER CONTENT		1
CONTENUTO CENERI		
ASHES CONTENT		1
		815

13	1	USCITA FUMI	SMOKE EXIT	8550
17	1	SONDA SICUREZZA MIN. LIVELLO	SAFETY MIN. LEVEL PROBE	
18	4	SONDA DI LIVELLO	LEVEL PROBE	
15	1	QUADRO ELETTRICO	CONTROL PANEL	
14	1	TRASDUTTORE DI PRESSIONE	PRESSURE TRANSDUCER	
13	1	PRESSOSTATO DI SICUREZZA	SAFETY PRESSURE SWITCH	
12	1	MANOMETRO	PRESSURE GAUGE	
11	1	INDICATORE DI LIVELLO	LEVEL INDICATOR	81/2"
10	2	VALVOLA A SFERA PROVA LIVELLO	LEVEL TESTING BALL VALVE	81/4"
9	1	VALVOLA A SFERA SCARICO CALDAIA	BLOW DOWN BALL VALVE	
8	1	VALVOLA A SFERA ALIMENTO	FEEDING BALL VALVE	B1*
7	1	VALVOLA A SFERA POMPA	PUMP BALL VALVE	B1*
6	1	VALVOLA DI RETEGNO	CHECK VALVE	B1*
5	1	ATTACCO INGRESSO ACQUA AIBILIARIO	AUXILIARY WATER INLET CONNECTION	B1*
4	1	ATTACCO INGRESSO ACQUA POMPA	WATER INLET PUMP CONNECTION	B2*
3	1	POMPA ALIMENTAZIONE	FEEDING WATER PUMP	85x 2"
2	1	VALVOLA DI SICUREZZA	SAFETY VALVE	60x1 81/2"
1	1	PRESA VAPORE	STEAM OUTLET	DN85 PN16

GARIONI NAVAL

GBP 400/0.98 Bar

DIMENSIONI ESTERNE STANDARD
STANDARD EXTERNAL DIMENSIONS

149 GBP Rev.3

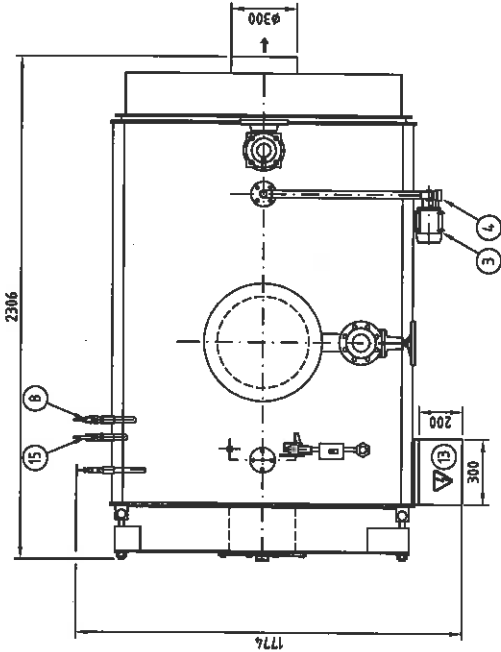
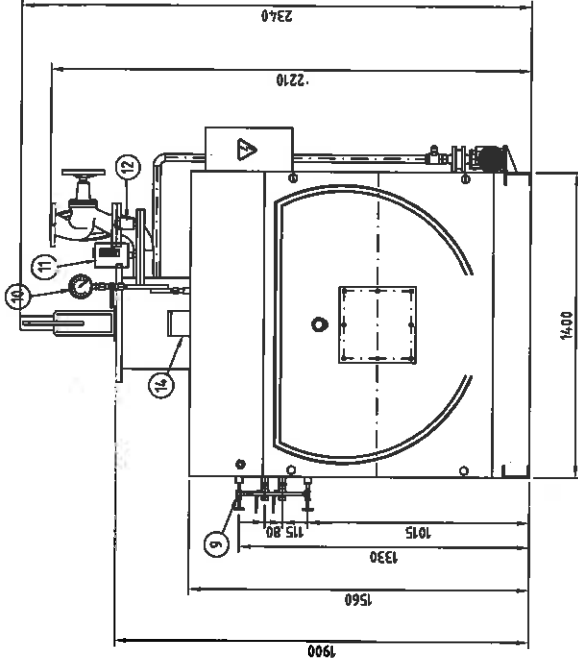
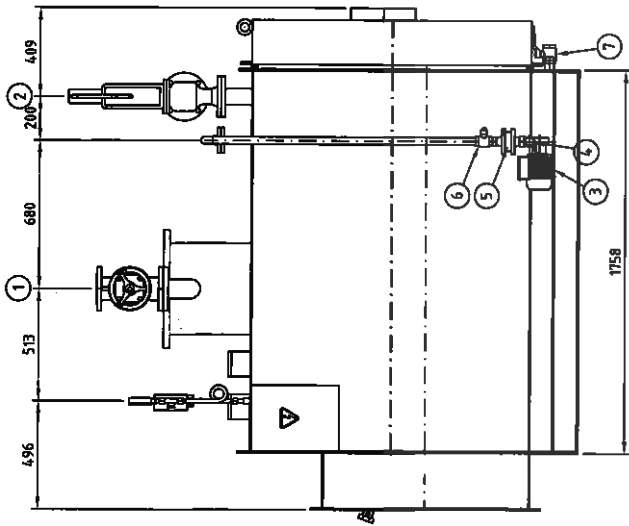
VERIFICATO PA
APPROVATO PA
SCALA 1:15
DATA 12/10/10

COMMESSA
SOSTITUISCE IL
REVISIONE 2

DISEGNO N. GBP 1042

Viale dei Caduti 3
25030 CASTELMELLA (BS)
Tel. (030) 2881541 r.a.
Fax (030) 2880910

92/87/EEC
1 (64/15)
2 (64/15)
3 (64/15)
4 (64/15)
5 (64/15)
6 (64/15)
7 (64/15)
8 (64/15)
9 (64/15)
10 (64/15)
11 (64/15)
12 (64/15)
13 (64/15)
14 (64/15)
15 (64/15)
16 (64/15)
17 (64/15)
18 (64/15)



POS.	NR.	DEDENOMINAZIONE	DESCRIPTION	NOTE
15	1	ATTACCO CONTROLLO ACQUA	FEED WATER CONTROL CONNECTION	81"
14	1	BARILOTTO SONDE LIVELLO	LEVEL STROBE MANIFOLD	
13	1	QUADRO ELETTRICO	CONTROL PANNEL	
12	1	TRASDUTTORE DI PRESSIONE	PRESSURE TRASDUCER	
11	1	PRESSOSTATO DI SICUREZZA	SAFETY PRESSURE SWITCH	
10	1	MANOMETRO	PRESSURE GAUGE	
9	1	INDICATORE DI LIVELLO	LEVEL INDICATOR	
8	2	VALVOLA A SFERA PROVA LIVELLO	LEVEL TESTING BALL VALVE	81"
7	1	VALVOLA A SFERA SCARICO CALDAIA	BLOW DOWN BALL VALVE	81" 1/4"
6	1	VALVOLA A SFERA ALIMENTAZIONE	FEEDING BALL VALVE	81"
5	1	VALVOLA DI RITEGNO	CHECK VALVE	DN25PN16
4	1	ATTACCO INGRESSO ACQUA POMPA	WATER INLET PUMP CONNECTION	
3	1	POMPA ALIMENTAZIONE	FEEDING WATER PUMP	
2	2	VALVOLA DI SICUREZZA	SAFETY VALVE	6in DN65 PN16
1	1	PRESA VAPORE	STEAM OUTLET	DN80 PN16

GARIONI NAVAL
 Viale dei Caduti, 3
 25030 CASTELNELLA (BS)
 Tel. (030) 289541-2
 Fax (030) 689970

GBP 500 1 bar
STANDARD DIMENSIONS
DIMENSIONI STANDARD

121 GBP R1

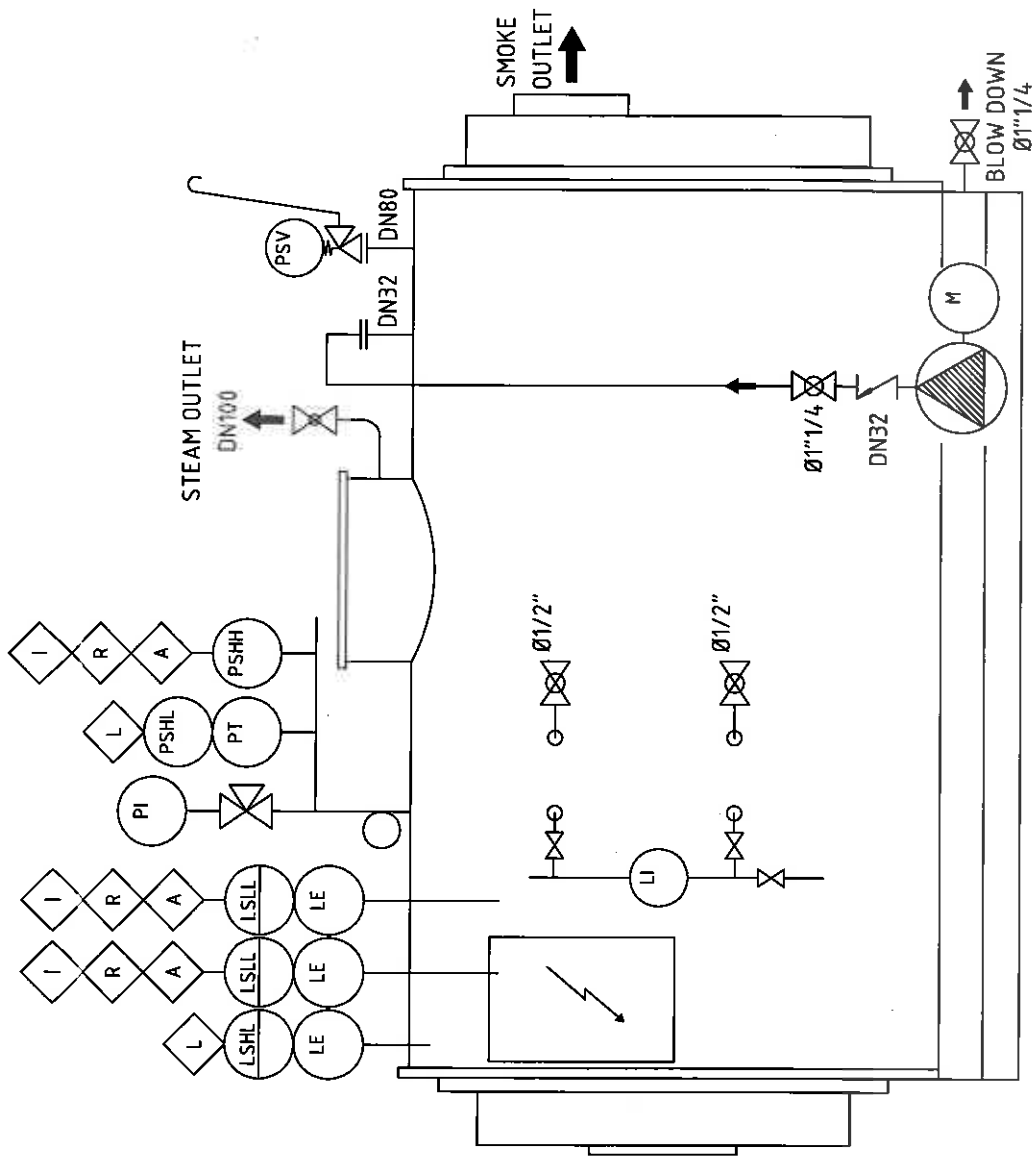
PRODOTTORE: L.B.
 APPROVATO: P.A.
 SCALA: -
 DATA: 26/07/2008

COMMESSA: -
 SOSTITUISCE IL: -
 SOSTITUITO DAL: -

DISEGNO N. 06-0357

QUESTO DISEGNO E' DI NOSTRA ESCLUSIVA PROPRIETA' E' VIETATO A TITOLO DI LEGGE RIPRODURLO O RIVENDILO A TITOLO SENZA LA NOSTRA AUTORIZZAZIONE.

PRODUZIONE VAPORE	Kg/h	833
STEAM PRODUCTION		
POTENZIALITA'	kcal/h(1000)	500
CAPACITY	Kw	581
REG. WEIGHT	Kg	8700
CONTENUTO ACQUA TOT.	l	1540
TOTAL WATER CONTENT		
CONTENUTO ACQUA A LIV.	l	1095
LEVEL WATER CONTENT		

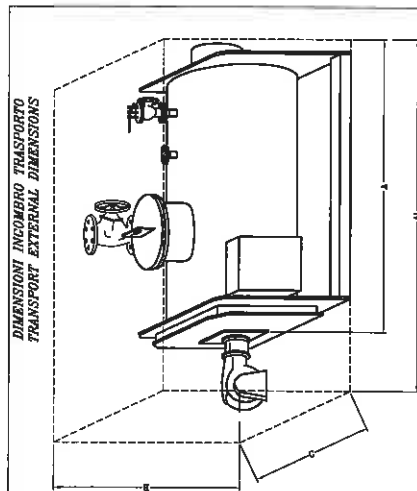
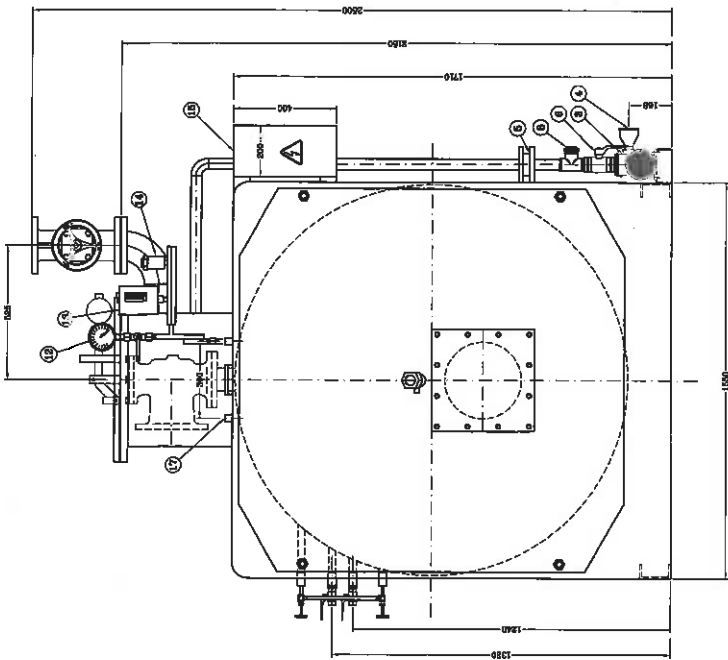
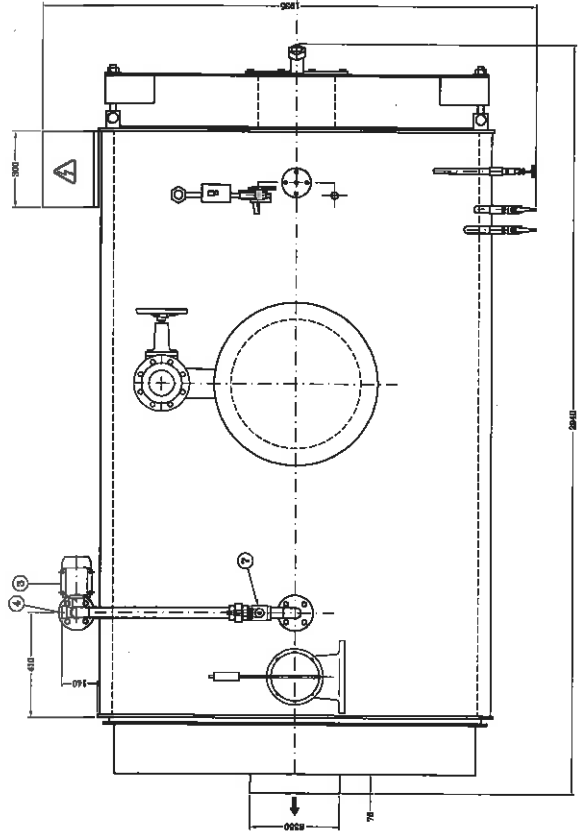
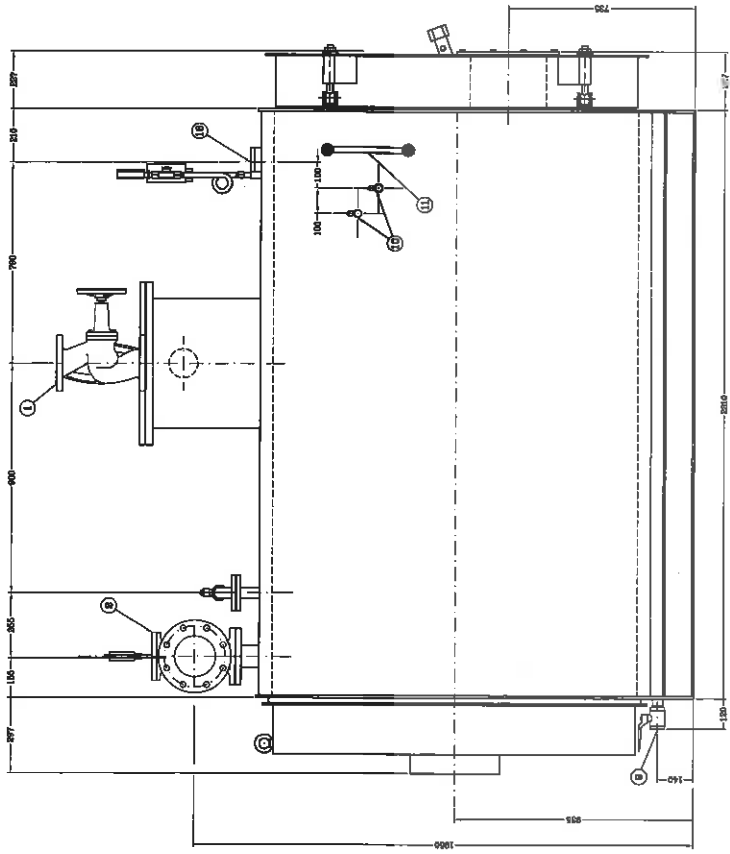


SYMB.	INSTRUMENTATION	STRUMENTAZIONE
	SAFETY VALVE	VALVOLA DI SICUREZZA
	CHECK VALVE	VALVOLA DI RITEGNO
	BALL VALVE	VALVOLA A SFERA
	PRESSURE SWITCH HIGH-HIGH	PRESSOSTATO DI MASSIMA
	PRESSURE SWITCH HIGH-LOW	PRESSOSTATO DI REGOLAZIONE
	PRESSURE INDICATOR	MANOMETRO
	PRESSURE TRANSDUCER	TRASDUTTORE DI RPESSIONE
	PRESSURE SAFETY VALVE	VALVOLA DI SICUREZZA
	LEVEL SWITCH START-STOP PUMP	SONDE START-STOP POMPA
	LEVEL SWITCH LOW-LOW	SONDA DI MINIMO LIVELLO
	LEVEL INDICATOR	INDICATORE DI LIVELLO
	LEVEL PROBE	SONDA LIVELLO
	LOGIC	LOGICA
	MANUAL RESET	RIARMO MANUALE
	INTERLOCKING	BLOCCO
	ALARM	ALLARME

GARIONI NAVAL
 Viale dei Caduti, 3
 25030 CASTELMELLA (BS)
 Tel. (030) 268541 r.a
 Fax (030) 2680910

<i>P&I</i>		COMMESSA	REVISIONE
CBP 700 - 800 0.98bar		SOSTITUISCE IL	SOSTITUITO DAL
DISEGNATO L.B.	APPROVATO P.A.	SCALA -	DATA 01/08/2006
			DISEGNO N. 06-0376

QUESTO DISSEGNO E' DI NOSTRA ESCLUSIVA PROPRIETA' E' VIETATO A TERMINI DI LEGGE RIPRODURLO O INVOLGARLO A TERZI SENZA LA NOSTRA AUTORIZZAZIONE



A	2200 mm
M	2700 mm
B	1800 mm
C	1450 mm
PESO A VUOTO EMPTY WEIGHT	1100 Kg

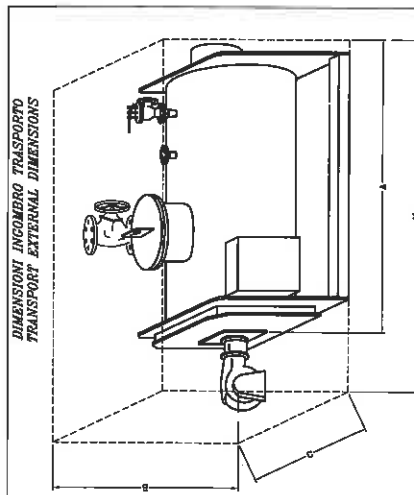
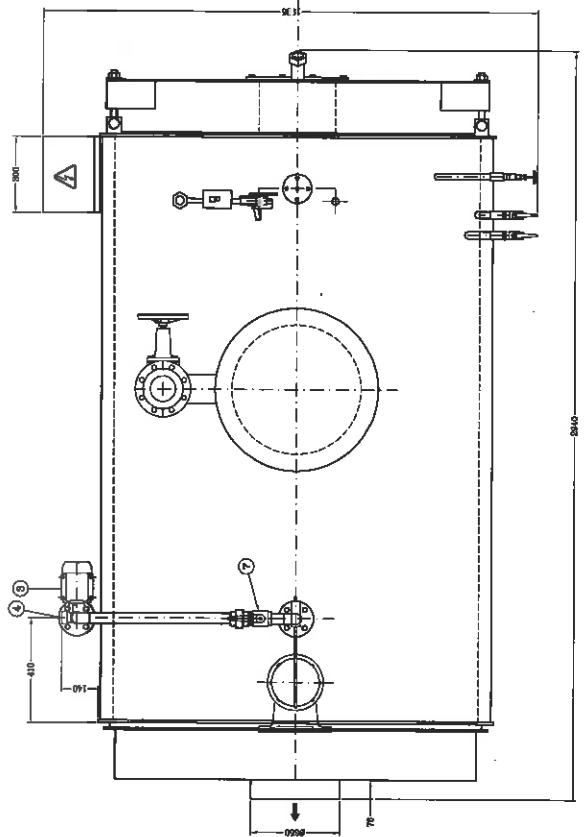
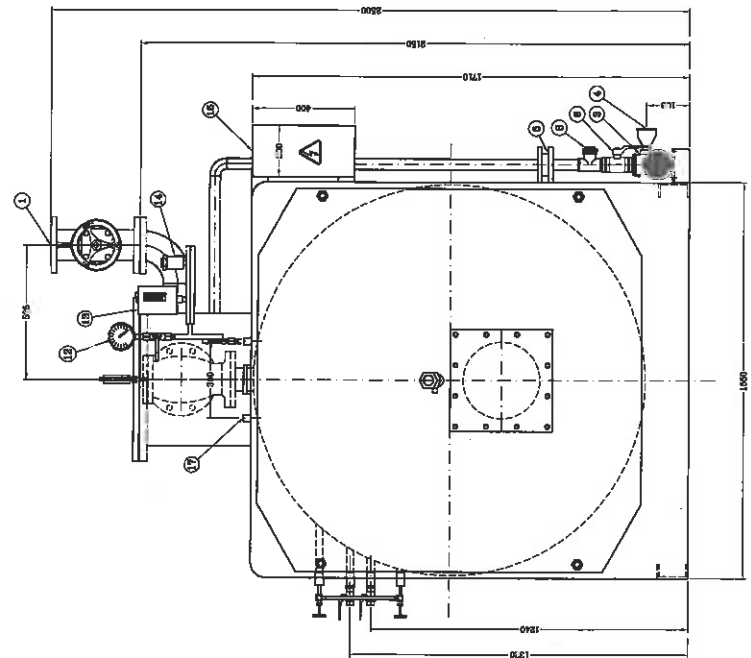
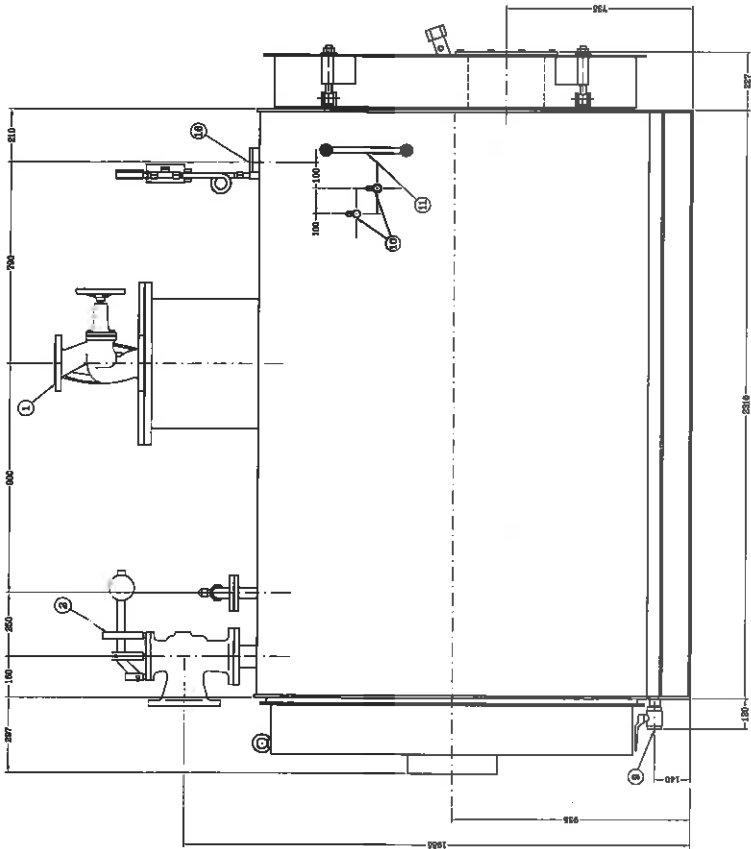
PRODOTTORE VALVOLA	1/2" / 1" / 1 1/2" / 2" / 3" / 4" / 6" / 8" / 10" / 12" / 14" / 16" / 18" / 20" / 24" / 30" / 36" / 42" / 48" / 54" / 60" / 72" / 84" / 96" / 108" / 120" / 144" / 168" / 192" / 216" / 240" / 288" / 336" / 384" / 432" / 480" / 528" / 576" / 624" / 672" / 720" / 768" / 816" / 864" / 912" / 960" / 1008" / 1056" / 1104" / 1152" / 1200"
VALVOLA	1/2" / 1" / 1 1/2" / 2" / 3" / 4" / 6" / 8" / 10" / 12" / 14" / 16" / 18" / 20" / 24" / 30" / 36" / 42" / 48" / 54" / 60" / 72" / 84" / 96" / 108" / 120" / 144" / 168" / 192" / 216" / 240" / 288" / 336" / 384" / 432" / 480" / 528" / 576" / 624" / 672" / 720" / 768" / 816" / 864" / 912" / 960" / 1008" / 1056" / 1104" / 1152" / 1200"
CONNESSIONE	1/2" / 1" / 1 1/2" / 2" / 3" / 4" / 6" / 8" / 10" / 12" / 14" / 16" / 18" / 20" / 24" / 30" / 36" / 42" / 48" / 54" / 60" / 72" / 84" / 96" / 108" / 120" / 144" / 168" / 192" / 216" / 240" / 288" / 336" / 384" / 432" / 480" / 528" / 576" / 624" / 672" / 720" / 768" / 816" / 864" / 912" / 960" / 1008" / 1056" / 1104" / 1152" / 1200"
CAPACITÀ	1/2" / 1" / 1 1/2" / 2" / 3" / 4" / 6" / 8" / 10" / 12" / 14" / 16" / 18" / 20" / 24" / 30" / 36" / 42" / 48" / 54" / 60" / 72" / 84" / 96" / 108" / 120" / 144" / 168" / 192" / 216" / 240" / 288" / 336" / 384" / 432" / 480" / 528" / 576" / 624" / 672" / 720" / 768" / 816" / 864" / 912" / 960" / 1008" / 1056" / 1104" / 1152" / 1200"
VALVOLA	1/2" / 1" / 1 1/2" / 2" / 3" / 4" / 6" / 8" / 10" / 12" / 14" / 16" / 18" / 20" / 24" / 30" / 36" / 42" / 48" / 54" / 60" / 72" / 84" / 96" / 108" / 120" / 144" / 168" / 192" / 216" / 240" / 288" / 336" / 384" / 432" / 480" / 528" / 576" / 624" / 672" / 720" / 768" / 816" / 864" / 912" / 960" / 1008" / 1056" / 1104" / 1152" / 1200"
CONNESSIONE	1/2" / 1" / 1 1/2" / 2" / 3" / 4" / 6" / 8" / 10" / 12" / 14" / 16" / 18" / 20" / 24" / 30" / 36" / 42" / 48" / 54" / 60" / 72" / 84" / 96" / 108" / 120" / 144" / 168" / 192" / 216" / 240" / 288" / 336" / 384" / 432" / 480" / 528" / 576" / 624" / 672" / 720" / 768" / 816" / 864" / 912" / 960" / 1008" / 1056" / 1104" / 1152" / 1200"
VALVOLA	1/2" / 1" / 1 1/2" / 2" / 3" / 4" / 6" / 8" / 10" / 12" / 14" / 16" / 18" / 20" / 24" / 30" / 36" / 42" / 48" / 54" / 60" / 72" / 84" / 96" / 108" / 120" / 144" / 168" / 192" / 216" / 240" / 288" / 336" / 384" / 432" / 480" / 528" / 576" / 624" / 672" / 720" / 768" / 816" / 864" / 912" / 960" / 1008" / 1056" / 1104" / 1152" / 1200"
CONNESSIONE	1/2" / 1" / 1 1/2" / 2" / 3" / 4" / 6" / 8" / 10" / 12" / 14" / 16" / 18" / 20" / 24" / 30" / 36" / 42" / 48" / 54" / 60" / 72" / 84" / 96" / 108" / 120" / 144" / 168" / 192" / 216" / 240" / 288" / 336" / 384" / 432" / 480" / 528" / 576" / 624" / 672" / 720" / 768" / 816" / 864" / 912" / 960" / 1008" / 1056" / 1104" / 1152" / 1200"

13	14	15	16	17	18	19	20	21	22	23	24	25	26	27	28	29	30	31	32	33	34	35	36	37	38	39	40	41	42	43	44	45	46	47	48	49	50	51	52	53	54	55	56	57	58	59	60	61	62	63	64	65	66	67	68	69	70	71	72	73	74	75	76	77	78	79	80	81	82	83	84	85	86	87	88	89	90	91	92	93	94	95	96	97	98	99	100
13	14	15	16	17	18	19	20	21	22	23	24	25	26	27	28	29	30	31	32	33	34	35	36	37	38	39	40	41	42	43	44	45	46	47	48	49	50	51	52	53	54	55	56	57	58	59	60	61	62	63	64	65	66	67	68	69	70	71	72	73	74	75	76	77	78	79	80	81	82	83	84	85	86	87	88	89	90	91	92	93	94	95	96	97	98	99	100

GARIONI NAVAL
 Viale dei Caduti, 5
 20136 Milano, Italia
 Tel. (02) 88454111
 Fax (02) 88454110

**STANDARD EXTERNAL DIMENSIONS
 DIMENSIONI DI INCOMBRO STANDARD**

APPROVATO P.S. DATA 1:10 28/09/2008
 DISEGNO N. GBP 1017



DIMENSIONI INCOMBRO TRASPORTO
TRANSPORT EXTERNAL DIMENSIONS

A	3000 mm
A1	3800 mm
B	2500 mm
C	2000 mm
PESO A VUOTO EMPTY WEIGHT	2200 Kg

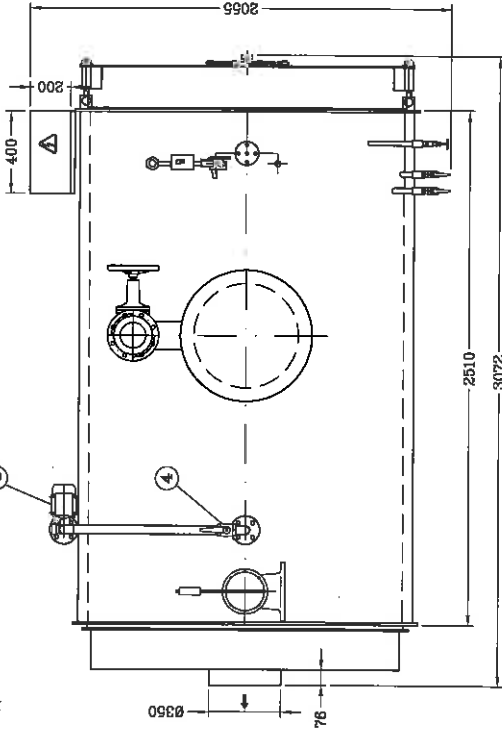
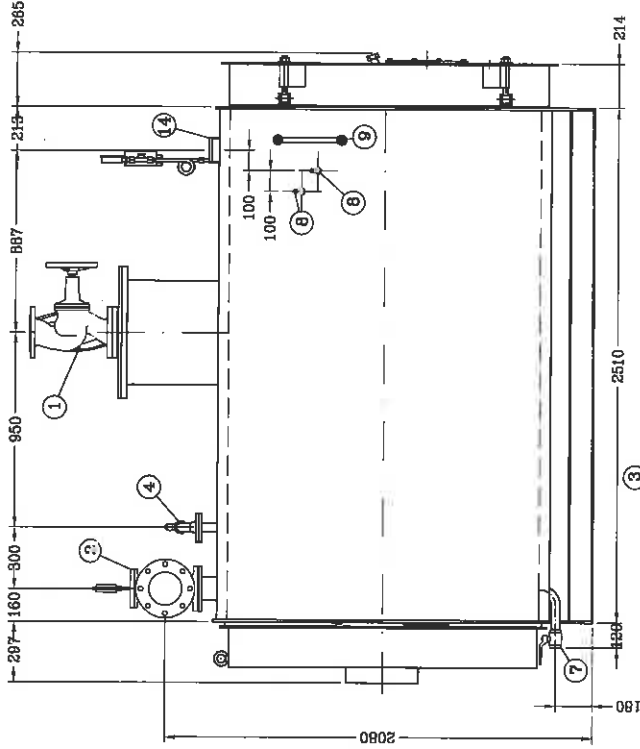
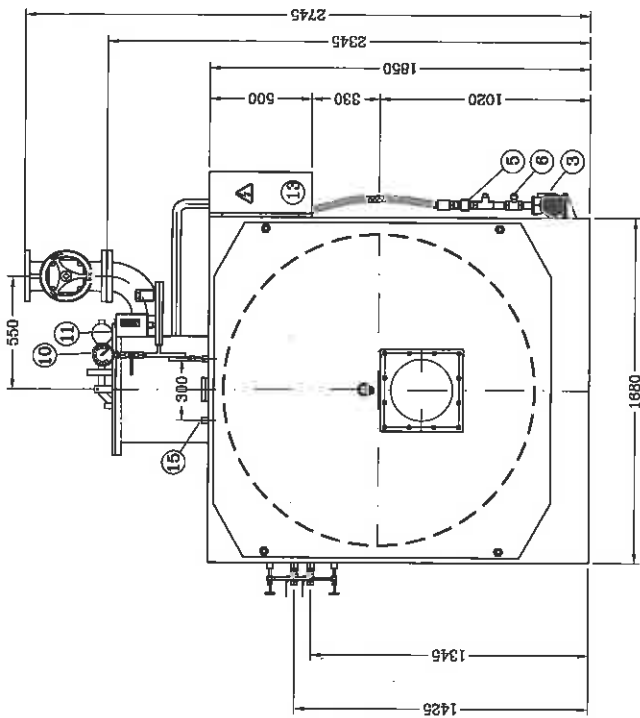
INTELLIGENZA VALVOLA	80/100	10000
POTENZIALITÀ	20	1000
CAPACITÀ	20	1000
PRESSIONE	20	1000
CONSUMO AEREA VAC.	1	1000
CONSUMO AEREA VAC. IN VUOTO	1	1000
CONSUMO AEREA VAC. IN VUOTO	1	1000

17	1	ATTACCO CONTROLLO AEREA	LEVEL WATER CONTROL CONNECTION	80/100
18	1	MANIGLIA ROTAZIONE LITRILLO	LEVEL EFFLUX ROTATION HANDLE	
15	1	QUADRANTE SEGNALI	CONTROL PANEL	
14	1	TRASMETTITORE DI PRESSIONE	PRES-FEEL TRANSDUCER	
13	1	PISTOLETTA AEREA	AIR GUN	
12	1	INTELLIGENZA VALVOLA	VALVE INTELLIGENCE	
11	1	MANIGLIA AEREA	AIR HANDLE	
10	1	MANIGLIA AEREA	AIR HANDLE	
9	1	MANIGLIA AEREA	AIR HANDLE	
8	1	MANIGLIA AEREA	AIR HANDLE	
7	1	MANIGLIA AEREA	AIR HANDLE	
6	1	MANIGLIA AEREA	AIR HANDLE	
5	1	MANIGLIA AEREA	AIR HANDLE	
4	1	MANIGLIA AEREA	AIR HANDLE	
3	1	MANIGLIA AEREA	AIR HANDLE	
2	1	MANIGLIA AEREA	AIR HANDLE	
1	1	MANIGLIA AEREA	AIR HANDLE	

GARIONI NAVAL
 Via dei Colli 3 (C.S.)
 20139 Milano (MI) ITALIA
 Tel. (02) 808141 4/5
 Fax (02) 808140

STANDARD EXTERNAL DIMENSIONS
 DIMENSIONI DI INCOMBRO STANDARD

DISPOSITIVO: P.S. APPROVATO: PA. DATA: 1/10/85/08/20008
 AUTORE: GARIONI NAVAL
 PRODOTTORE: GARIONI NAVAL
 DISEGNO: N. 1016
 C.P. 1016



POS. NR.	DENOMINAZIONE	DESCRIPTION	NOTE
15	1	ATTACCO SONDA SICUREZZA	Ø1/2"
14	1	BARILOTTO SONDE LIVELLO	
13	1	QUADRO ELETTRICO	
12	1	TRASDUTTORE DI PRESSIONE	
11	1	PRESSOSTATO DI SICUREZZA	
10	1	MANOMETRO	
9	1	INDICATORE DI LIVELLO	
8	2	VALVOLA A SFERA PROVA LIVELLO	Ø1/2"
7	1	VALVOLA A SFERA SCARICO CALDAIA	Ø1 1/4"
6	1	VALVOLA A SFERA POMPA	Ø1 1/4"
5	1	VALVOLA DI RITEGNO	Ø1"
4	1	VALVOLA A SFERA ALIMENTAZIONE	Ø1 1/4"
3	1	POMPA ALIMENTAZIONE	
2	2	VALVOLA DI SICUREZZA	Øin DN100 PN16 Øout DN150 PN16
1	1	PRESA VAPORE	DN125 PN16

PRODUZIONE VAPORE STEAM PRODUCTION	Kg/h 2000
POTENZIALITÀ	Kcal/hx1000 1200
CAPACITY	Kw 1395
PESO WEIGHT	Kg 4000
CONTENUTO ACQUA TOT. TOTAL WATER CONTENT	l 3020
CONTENUTO ACQUA A LV. LEVEL WATER CONTENT	l 2050

GARIONI NAVAL
 DIMENSIONI DI INCOMBRO
 EXTERNAL DIMENSIONS
 GBP 1200 0.98 Bgr

127 GBP Rev.0

DISEGNATO M.M. APPROVATO P.A. DATA 04/10/07
 SCALA 1:20

DISECNO N. 07-0633

REV.	1	22/11/07	Valvole alimento press vapore - ritegno - attacco	FS P.A.
DATA	05/10/07	14/01/07	Dimensioni quadro elettrico	M.M. P.A.
MODIFICHE	SOSTITUIRE IL SOSTITUITO DAL			
M.M. P.A.	COMMESSA 688/07			
DIS. APP.	RIFERENZE 2			

Viale dei Caduti 3
 25030 CASTELMELLA (BS)
 Tel. (030) 2881641 r.a.
 Fax (030) 2880910